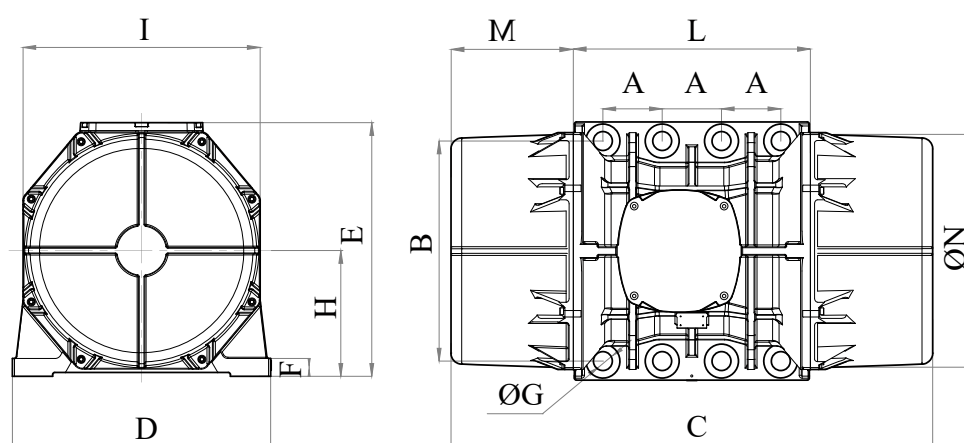




# MVE 17500/1E-105A0 (EE617500A5A08A0000)

## 3 PH - 6 poles - 1000 RPM - 380-415 V (Delta) - 50 Hz

| Working moment [Kg*cm] | Unbalance [Kg*cm] | Centrifugal force [Kg] | Nominal voltage [V] | Input power [kW] | Current [A] | Power factor | Ia/In |
|------------------------|-------------------|------------------------|---------------------|------------------|-------------|--------------|-------|
| 3.220                  | 1.610             | 17.980                 | 380-415 (Delta)     | 11,92            | Δ 21        | 0,82         | 5,6   |



\*Technical drawings are illustrative purposes only, please refer to 2D/3D drawings available on "FINDER" app. Contact us for more information.

| OVERALL DIMENSIONS [mm] |     |     |    |              |       |     |     |    |     |     |     |     |     |
|-------------------------|-----|-----|----|--------------|-------|-----|-----|----|-----|-----|-----|-----|-----|
| Weight [Kg]             | A   | B   | G  | Holes number | C     | D   | E   | F  | H   | I   | L   | M   | N   |
| 744                     | 140 | 480 | 45 | 8            | 1.060 | 570 | 542 | 48 | 268 | 510 | 560 | 250 | 490 |

| TECHNICAL FEATURES                             |                  |       |            |                      |            |             |
|--|------------------|-------|------------|----------------------|------------|-------------|
| Type of grease                                 | Greased for life | Screw | Washer     | Clamping torque [Nm] | Cable type | Cable gland |
| Please refer to the label on the motorvibrator | Yes              | M42   | 43 x 78 mm | 2850                 | 4G6 110°C  | M32 110°C   |

| BEARINGS LIFE HOURS |      |          |         |         |
|---------------------|------|----------|---------|---------|
| Bearing model       | Type | 100% C.F | 80% C.F | 50% C.F |
| NJ 2322             |      | 9945     | 20923   | >100000 |

| CERTIFICATION   |          |
|---|----------|
| ATEX II2 D Ex tb IIIC Tx Db IP66<br>IECEx Ex tb IIIC Tx Db IP66<br>CLASS II DIV.2 GROUP F,G T4<br>Ex tb IIIC Tx Db IP66<br>[Tx Size Micro,10-30:100°C - Tx Size 40-91:135°C]<br>CONF TO UL1004-3, UL1004-1, UL 60079-0, UL60079-31<br>CERT. CSA C22.2 No.100, CSA C22.2 No.77, CSA C22.2N.60079-0, CSA C22.2N.60079-31<br>T.Amb -20/+40°C | <br><br> |

REV.1-22/05/2019

Dimension with coarse degree of accuracy related to UNI 22768/1 Rights reserved to modify technical specifications.

