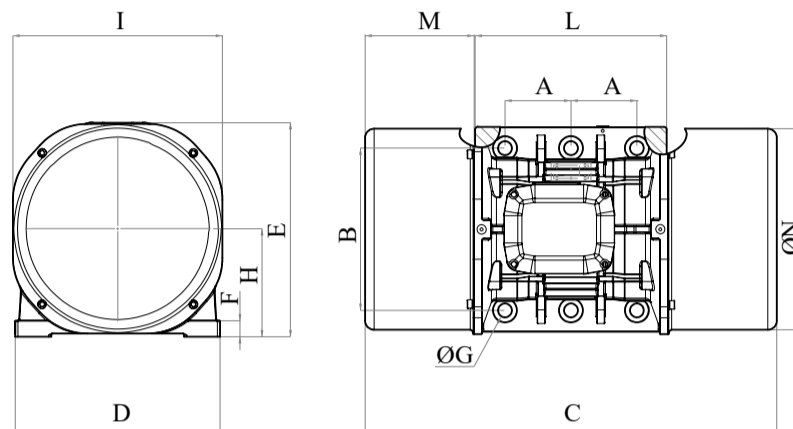




MVE 13000/1E-90A0 [EE61300090A08A0000]

3 PH - 6 poles - 1000 RPM - 380-415 V (Delta) - 50 Hz

Working moment [Kg*cm]	Unbalance [Kg*cm]	Centrifugal force [Kg]	Nominal voltage [V]	Input power [kW]	Current [A]	Power factor	Ia/In
2.329,84	1.164,92	13.009	380-415 (Delta)	7,5	Δ 16,4	0,66	6,4



*Technical drawings are illustrative purposes only, please refer to 2D/3D drawings available on "FINDER" app. Contact us for more information.

OVERALL DIMENSIONS [mm]													
Weight [Kg]	A	B	G	Holes number	C	D	E	F	H	I	L	M	N
416	125	380	39	6	948	452	415	40	205	394	380	280	378

TECHNICAL FEATURES						
Type of grease	Greased for life	Screw	Washer	Clamping torque [Nm]	Cable type	Cable gland
Please refer to the label on the motorvibrator	Yes	M36	37 x 66 mm	1864	4G6 120°C	M32 120°C

BEARINGS LIFE HOURS				
Bearing model	Type	100% C.F	80% C.F	50% C.F
NJ 2317		4851	10205	48891

CERTIFICATION	
ATEX II2 D Ex tb IIIC Tx Db IP66 IECEx Ex tb IIIC Tx Db IP66 CLASS II DIV.2 GROUP F,G T4 Ex tb IIIC Tx Db IP66 [Tx Size Micro,10-30:100°C - Tx Size 40-91:135°C] CONFTO UL1004-3, UL1004-1, UL 60079-0, UL60079-31 CERT. CSA C22.2 No.100, CSA C22.2 No.77, CSA C22.2N.60079-0, CSA C22.2N. 60079-31 T.Amb -20/+40°C	

REV.2-29/01/2020

Dimension with coarse degree of accuracy related to UNI 22768/1 Rights reserved to modify technical specifications.

